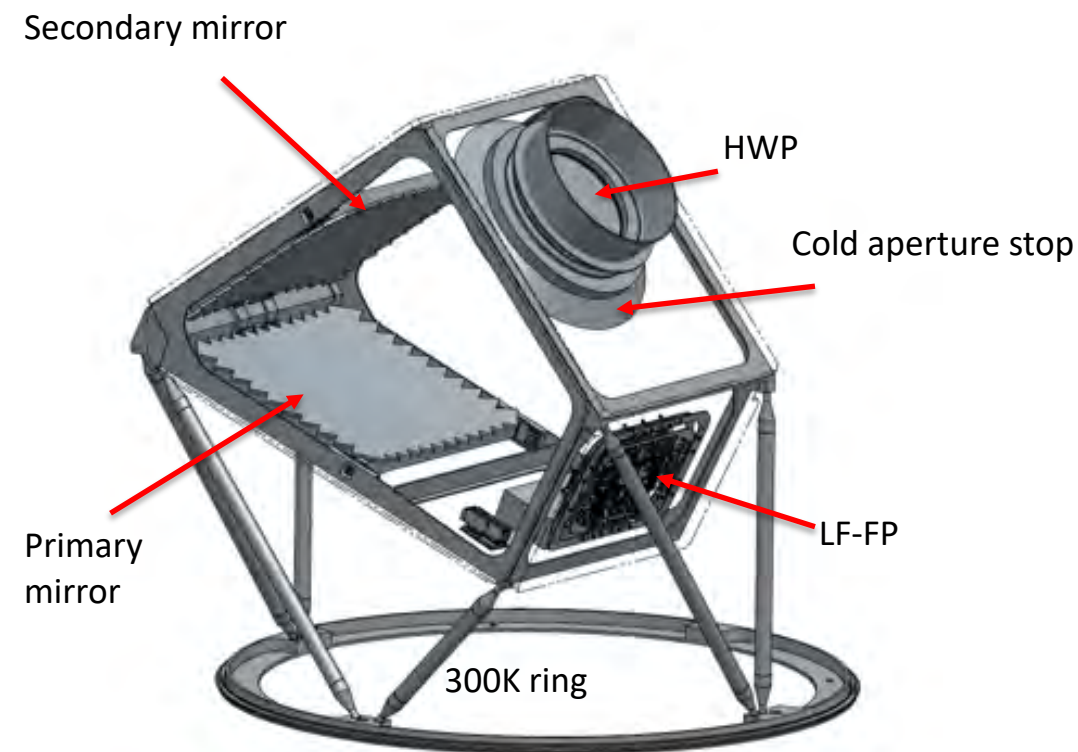
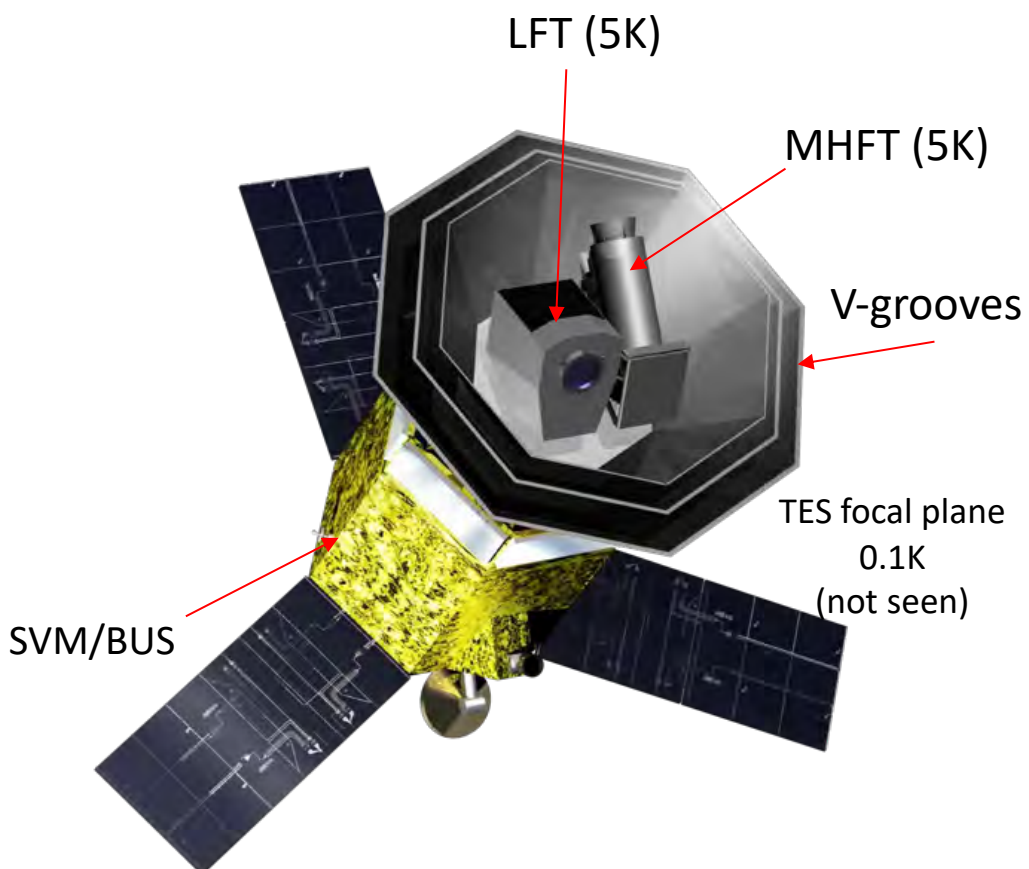




# Concept design of Low frequency telescope (LFT) and Payload module of LiteBIRD



- LFT : 34 – 161 GHz
- Aperture diameter 400 mm
- Field of view 20 deg x 10 deg
- F#3.0 & crossed angle of 90 degree
- All 5K parts are made of Aluminum
- Far sidelobe < - 60 dB
- S. Kashima et al. 2018 Appl. Optics
- Y. Sekimoto et al. 2018 SPIE
- H. Takakura et al. 2019 IEEE TST 9, 6

